



Providing the Best Solutions

Facts and Figures



Experience in Bearing Production



€ 29,9 M Turnover



600+ Employees



225 OEMs



1600+ Products

Why to work with FKL?

- Top quality at affordable prices
- European origin
- Permanent development of new products
- Wide range of agricultural bearings
- Customer tailored solutions
- Flexibility in production
- Technical and logistics support

FACTORY OF ROLLING BEARINGS AND CARDAN SHAFTS

Industrijska zona bb
21235 Temerin
SERBIA

Sales Director +381 21 6841 222
Head of Sales +381 21 6841 190

Foreign Markets +381 21 6841 205
+381 21 6841 231
+381 21 6841 188

Domestic Market +381 21 6841 187

Marketing +381 21 6841 201

sales@fkl-serbia.com
marketing@fkl-serbia.com



www.fkl-serbia.com



PROVIDING THE BEST SOLUTIONS



PRODUCTION PROGRAM

AGRO POINT HUBS:

- IL10
- IL20
- IL25
- IL30
- IL35
- IL40
- IL50
- IL60
- IL70

Special production program for application in agriculture:

- Disc Harrows
- Seeding Machines
- Packer Rollers
- Packer Ballers
- Harvesters
- Universal Solutions

Standard production program:

- Insert ("Y") Ball Bearings
- Housings
- Bearing Units

TOP SELLING ITEMS



IL25-85-4T-M16-T



IL40-98/4T-M22



IL50-120/6T-44-R635



IL50-98/4T-M22



IL60-130/6T-M27



LEFN 210 2TB



LSQFR 308 TDT.H.T



LEFG 208 TDT



LSGR 207 TB5



PL-7520



SL 3303-25



SL 5203.B-2T

NEWLY DEVELOPED ITEMS



IL205-75/4H-M16



IL50A-127/4H-3/4-16UNF



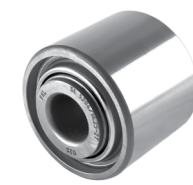
IL50B-125.74H-3/4-16UNF



IL60C-150/6T-D95

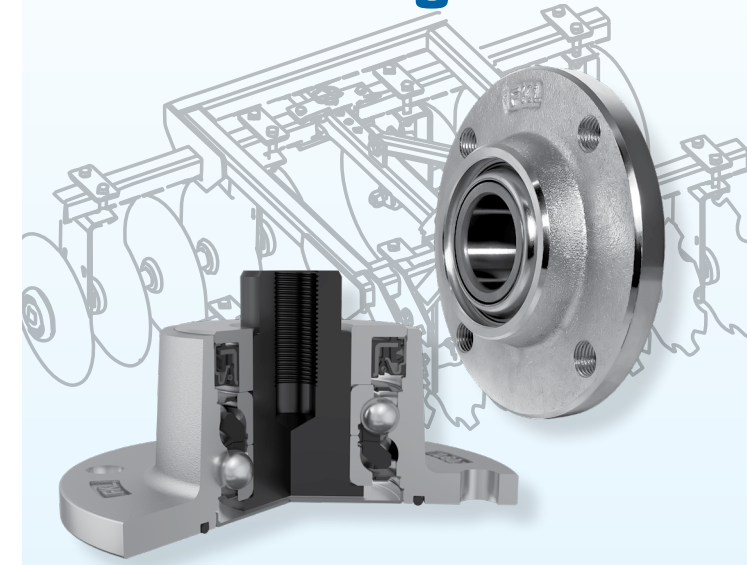


LESQFS 212 TDT.H

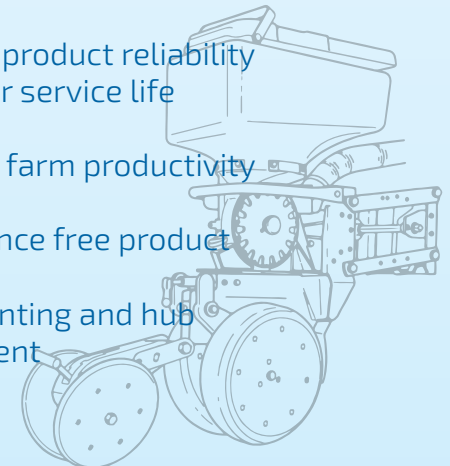


SL 5204-16.25-2T

FKL AGRO POINT HUB Advantages



- Perfect sealing
- High load rating
- Integrated flange made from forging
- Corrosion protected flange surface
- Extended product reliability and longer service life
- Increased farm productivity
- Maintenance free product
- Easy mounting and hub replacement



FKL DISTRIBUTORS

AGRIPARTNER - GANAYE SARL, France
www.agripartner.fr

APPLIED INDUSTRIAL TECHNOLOGIES PTY LTD, Australia
www.appliedau.com.au

AS MODUATOR, Estonia
www.moduator.ee

AUCKLAND BEARING DISTRIBUTORS LTD, New Zealand
www.aucklandbearings.co.nz

CELSAN EUROPA S.R.L., Italy
emingardi@celsaneuropa.it

EKOAL OOD, Bulgaria
www.ekoalbg.com

HAGOP GIRAGOS, Syria
giragos@scs-net.org

JOKILAAKERI OY, Finland
www.nomogroup.fi

LAUDORTS SIA, Latvia
www.laudorts.lv

NOVOTECHNO, Slovakia
www.novotechno.sk

PNS TECH, Canada
www.pnstech.ca

PO BEARINGS S.R.O., Slovakia
www.lozicka-bearings.sk

ROLLER J KOUKORINIS J LIAKOPOULOS EE, Greece
www.roller.com.gr

SE-KRA DOO, Croatia
www.se-kra.hr

SISA OTOMOTIV DIS TICARET LTD, Turkey/Iraq
sisa.dis.tic@superonline.com

SRL ROMANCIUC ROMA SI CO, Moldova
romanciuci@mail.ru

TEMKO DOO, North Macedonia
goran.temko@gmail.com

TIVI GROUP LTD, Bulgaria
www.tivigroup.com

UAB IGNERA, Lithuania
www.ignera.lt

VSC UNITECH SRL, Moldova
vsc.unitech@gmail.com

VULIN DOO, Bosnia and Herzegovina
vulindoo@yahoo.com

WEARPARTS TILLAGE TOOLS, USA
www.wearpartslc.com

MIKRON DOO, Serbia
www.mikron-doo.rs

NEPTUN DOO, Serbia
www.neptundoo.rs

TENEJ DOO, Serbia
www.tenej.com

AGROMARKET DOO, Serbia
www.agromarket021.com

JUSEL DOO, Serbia
www.jusel.com

LAGERTON DOO, Serbia
www.lagerton.com

SET TRADE N&N DOO, Serbia
settradenn@gmail.com

KUGLAGER DOO, Serbia
www.kuglager.rs

FKL POLSKA SP.Z.O.O.SP.K., Poland
www.fkl-polska.pl

FKL DEUTSCHLAND GMBH, Germany
www.fkl-deutschland.de

FKL CZECH S.R.O., Czech Republic
www.fkl-czech.cz

FKL IBERICA Bearings S.L., Spain
www.fkl-iberica.com

Factory,
FKL DOO Temerin, Serbia
www.fkl-serbia.com

FKL HUNGARY KFT, Hungary
www.fklhungary.hu

FKL BY, Belarus
www.fkl.by

LLC FKL, Russia
www.rusfkl.ru

FKL UKRAINE LTD, Ukraine
www.fkl.ua

FKL PARS, Iran
fkl.pars@gmail.com

FKL ROMANIA SRL, Romania
www.fklromania.ro

FKL DISTRIBUTORS

AGRIPARTNER - GANAYE SARL, France
www.agripartner.fr

APPLIED INDUSTRIAL TECHNOLOGIES PTY LTD, Australia
www.appliedau.com.au

AS MODUATOR, Estonia
www.moduator.ee

AUCKLAND BEARING DISTRIBUTORS LTD, New Zealand
www.aucklandbearings.co.nz

CELSAN EUROPA S.R.L., Italy
emingardi@celsaneuropa.it

EKOAL OOD, Bulgaria
www.ekoalbg.com

HAGOP GIRAGOS, Syria
giragos@scs-net.org

JOKILAAKERI OY, Finland
www.nomogroup.fi

LAUDORTS SIA, Latvia
www.laudorts.lv

NOVOTECHNO, Slovakia
www.novotechno.sk

PNS TECH, Canada
www.pnstech.ca

PO BEARINGS S.R.O., Slovakia
www.lozicka-bearings.sk

ROLLER J KOUKORINIS J LIAKOPOULOS EE, Greece
www.roller.com.gr

SE-KRA DOO, Croatia
www.se-kra.hr

SISA OTOMOTIV DIS TICARET LTD, Turkey/Iraq
sisa.dis.tic@superonline.com

SRL ROMANCIUC ROMA SI CO, Moldova
romanciuci@mail.ru

TEMKO DOO, North Macedonia
goran.temko@gmail.com

TIVI GROUP LTD, Bulgaria
www.tivigroup.com

UAB IGNERA, Lithuania
www.ignera.lt

VSC UNITECH SRL, Moldova
vsc.unitech@gmail.com

VULIN DOO, Bosnia and Herzegovina
vulindoo@yahoo.com

WEARPARTS TILLAGE TOOLS, USA
www.wearpartslc.com

MIKRON DOO, Serbia
www.mikron-doo.rs

NEPTUN DOO, Serbia
www.neptundoo.rs

TENEJ DOO, Serbia
www.tenej.com

AGROMARKET DOO, Serbia
www.agromarket021.com

JUSEL DOO, Serbia
www.jusel.com

LAGERTON DOO, Serbia
www.lagerton.com

SET TRADE N&N DOO, Serbia
settradenn@gmail.com

KUGLAGER DOO, Serbia
www.kuglager.rs

FKL POLSKA SP.Z.O.O.SP.K., Poland
www.fkl-polska.pl

FKL DEUTSCHLAND GMBH, Germany
www.fkl-deutschland.de

FKL CZECH S.R.O., Czech Republic
www.fkl-czech.cz

FKL IBERICA Bearings S.L., Spain
www.fkl-iberica.com

Factory,
FKL DOO Temerin, Serbia
www.fkl-serbia.com

FKL HUNGARY KFT, Hungary
www.fklhungary.hu

FKL BY, Belarus
www.fkl.by

LLC FKL, Russia
www.rusfkl.ru

FKL UKRAINE LTD, Ukraine
www.fkl.ua

FKL PARS, Iran
fkl.pars@gmail.com

FKL ROMANIA SRL, Romania
www.fklromania.ro

FKL DISTRIBUTERI

AGRIPARTNER - GANAYE SARL, Francuska
www.agripartner.fr

APPLIED INDUSTRIAL TECHNOLOGIES PTY LTD, Australija
www.appliedau.com.au

AS MODUATOR, Estonija
www.moduator.ee

AUCKLAND BEARING DISTRIBUTORS LTD, Novi Zeland
www.aucklandbearings.co.nz

CELSAN EUROPA S.R.L., Italija
emingardi@celsaneuropa.it

EKOAL OOD, Bugarska
www.ekoalbg.com

HAGOP GIRAGOS, Sirija
giragos@scs-net.org

JOKILAAKERI OY, Finska
www.nomogroup.fi

LAUDORTS SIA, Letonija
www.laudorts.lv

NOVOTECHNO, Slovačka
www.novotechno.sk

PNS TECH, Kanada
www.pnstech.ca

PO BEARINGS S.R.O., Slovačka
www.lozicka-bearings.sk

ROLLER J KOUKORINIS J LIAKOPOULOS EE, Grčka
www.roller.com.gr

SE-KRA DOO, Hrvatska
www.se-kra.hr

SISA OTOMOTIV DIS TICARET LTD, Turska/Irak
sisa.dis.tic@superonline.com

SRL ROMANCIUC ROMA SI CO, Moldavija
romanciuci@mail.ru

TEMKO DOO, Severna Makedonija
goran.temko@gmail.com

TIVI GROUP LTD, Bugarska
www.tivigroup.com

UAB IGNERA, Litvanija
www.ignera.lt

VSC UNITECH SRL, Moldavija
vsc.unitech@gmail.com

VULIN DOO, Bosna i Hercegovina
vulindoo@yahoo.com

WEARPARTS TILLAGE TOOLS, SAD
www.wearpartslc.com

MIKRON DOO, Srbija
www.mikron-doo.rs

NEPTUN DOO, Srbija
www.neptundoo.rs

TENEJ DOO, Srbija
www.tenej.com

AGROMARKET DOO, Srbija
www.agromarket021.com

JUSEL DOO, Srbija
www.jusel.com

LAGERTON DOO, Srbija
www.lagerton.com

SET TRADE N&N DOO, Srbija
settradenn@gmail.com

KUGLAGER DOO, Srbija
www.kuglager.rs

FKL POLSKA SP.Z.O.O.SP.K., Poljska
www.fkl-polska.pl

FKL DEUTSCHLAND GMBH, Nemačka
www.fkl-deutschland.de

FKL CZECH S.R.O., Češka Republika
www.fkl-czech.cz

FKL IBERICA Bearings S.L., Španija
www.fkl-iberica.com

**Fabrika,
FKL DOO Temerin, Srbija**
www.fkl-serbia.com

FKL HUNGARY KFT, Mađarska
www.fklhungary.hu

FKL BY, Belorusija
www.fkl.by

LLC FKL, Rusija
www.rusfkl.ru

FKL UKRAINE LTD, Ukrajina
www.fkl.ua

FKL PARS, Iran
fkl.pars@gmail.com

FKL ROMANIA SRL, Rumunija
www.fklromania.ro