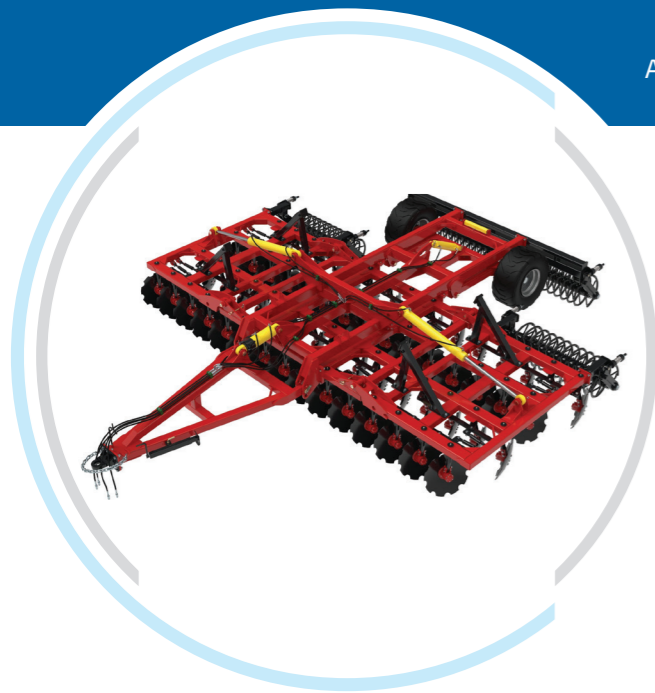




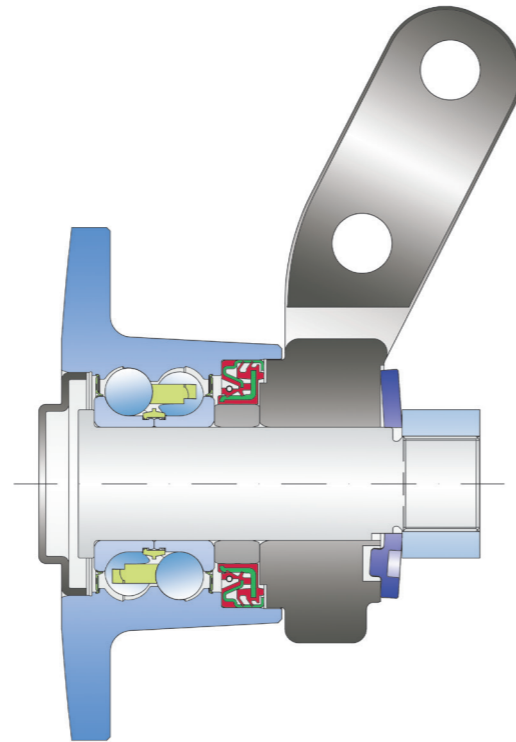
**INNOVATIVE AGRO POINT HUB  
WITH SOLID FORGED HOLDER**  
for disc harrows without elastic suspension  
IL50-120/6T-44-R635



New Agro Point Hub with solid forged holder is innovative solution specially developed for disc harrows without elastic suspension. Its unique design, confirmed by Test Room and field testings, presents the most efficient solution for this type of machinery.

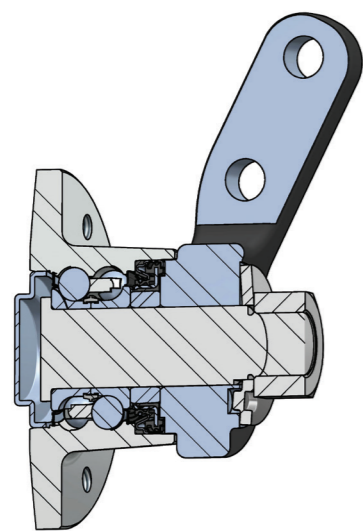
### INNER DESIGN

- Double row angular contact ball bearing
- Integrated flange offers the possibility of using larger ball diameter
- Maintenance-free bearing for independent discs
- Dirtblock seal hermetically pressed to the flange
- The metal sheet cover hermetically fitted to the disc side of flange
- Flange and holder made from forging

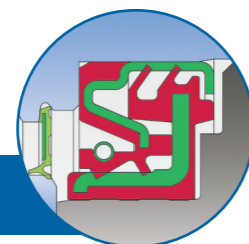


### SEALING ADVANTAGES

- Labyrinth design of Dirtblock seal with spring maximally protects the bearing from dirt particles intrusions
- Inside of Dirtblock seal completely filled by grease
- Additional/RS seal on both bearing sides
- The space between Dirtblock and RS seal is also filled by the grease
- The seal design allows the hub operating in very harsh condition, for any type of soil.

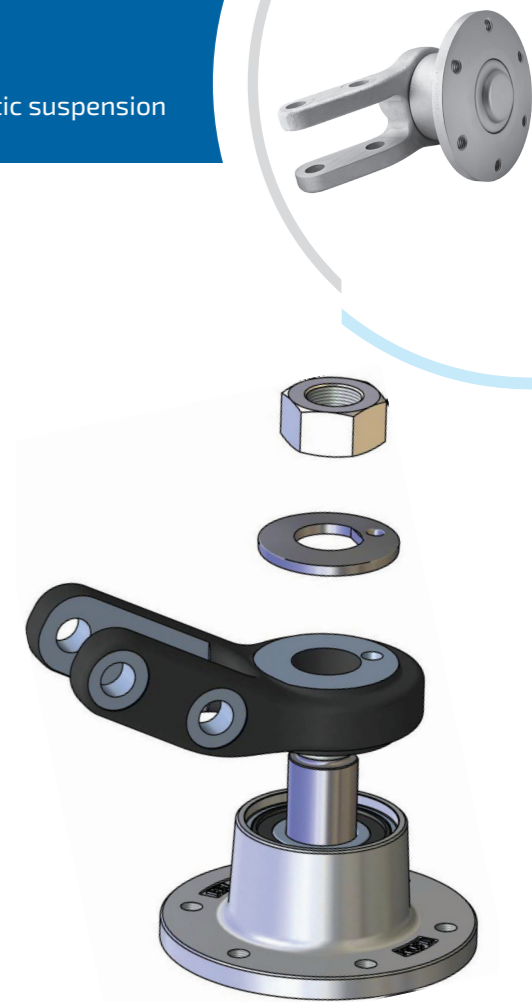


RS seal + Dirtblock seal



### MOUNTING ADVANTAGES

- Increased shaft loading rate due to increased cross section
- The washer has the function of a disc spring, which prevents the nut from unscrewing
- The disc spring and the holder ensure high accuracy of the hub installation on the machine
- The washer locks the hub while tightening the nut and provides 6 tons of axial force
- The hardened washer has higher strength that prevents holder's surface deformation caused by the nut torque pressure.



### ADVANTAGES OF AGRO POINT HUB WITH SOLID FORGED HOLDER

- Agro point hub is maintenance-free product
- Quality and stable production and assembly process guarantees longer hub's life span
- 100% control of axial clearance in production
- 100 % nut tightening torque control at assembly
- Elimination possibility of improper mounting of the bearing inside the flange and/or shaft, that presents a frequent problem at using of standard bearing solution

- Precisely made forged holder provides higher strength and reliable hub mounting compared to the welded one
- The holder provides perfect protection of the hub instead of standard cover plate
- No clearance setting, technical maintenance and repair no needed
- Easy hub replacement



**FKL®**  
MADE IN SERBIA

## Factory of Rolling Bearings and Cardan Shafts

Industrijska zona bb  
21235 Temerin  
SERBIA

Head of Sales +381 21 6841 222  
Sales managers +381 21 6841 205  
+381 21 6841 201  
+381 21 6841 190  
+381 21 6841 187

[www.fkl-serbia.com](http://www.fkl-serbia.com)

[sales@fkl-serbia.com](mailto:sales@fkl-serbia.com)  
[marketing@fkl-serbia.com](mailto:marketing@fkl-serbia.com)